



mizuhosi.com


MOT 5602BW

Slide Top Operating Table



30031 Ahern Avenue
Union City, CA 94587-1234 USA
Telephone: 510-429-1500
Toll Free: 800-777-4674
Fax: 510-429-8500
Outside USA: +1-510-429-1500
mizuhosi.com

EC REP
Emergo Europe
Prinsessegracht 20
2514 AP The Hague
The Netherlands

 MIZUHO Corporation
3-30-13 Hongo, Bunkyo-ku
Tokyo 113-0033, Japan



Note: Mizuho OSI is constantly improving its products. All specifications are subject to change without notice. • Tempur-Pedic® is a registered trademark of Tempur-Pedic North America, LLC • ARCADIS® Orbic C-arm is a registered trademark of Siemens Medical Solutions USA, Inc. • Mizuho OSI is a Delaware Corporation.

Maximized Versatility and Positioning

The MOT-5602BW Slide Top Operating Table features best-in-class table top slide of 53 cm (21 in.) and low height of 52 cm (20.5 in.). When combined, the result is a surgical platform that promotes patient safety and simplifies complex patient positioning. MOT-5602BW is an ideal platform for multi-surgical disciplines where imaging and laparoscopic techniques are required.



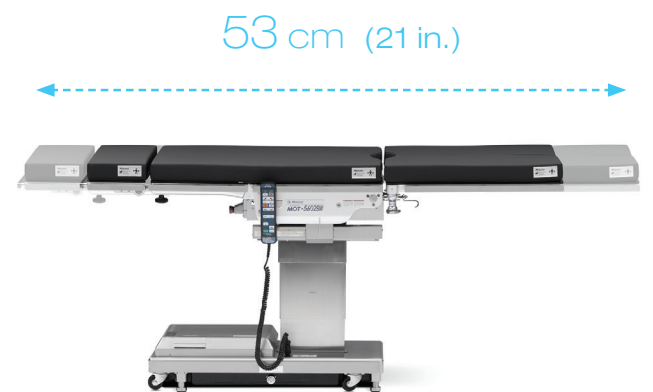
Full patient weight capacity is maintained throughout the entire articulation range.



250 kg
(550 lbs.)

Slide Top Benefits

- One button top slide control allows longitudinal slide through imaging windows
- No reverse orientation of the patient equates to simplified and safer positioning
- Sliding value provides optimal surgeon access to patient's upper or lower body
- Minimal interference of table base is ideal for imaging systems and seated surgeons



Low Height Benefits

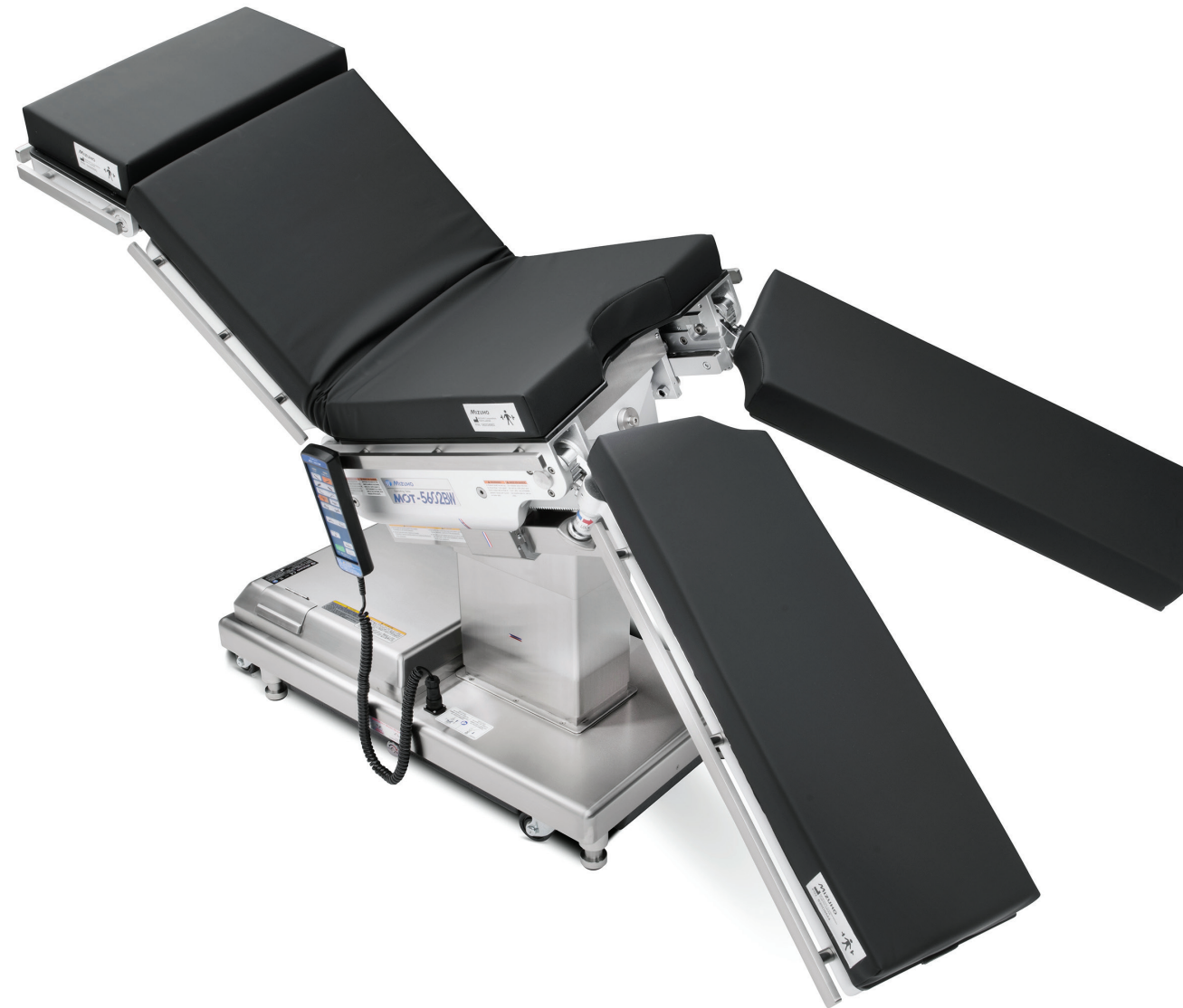
- Excellent patient access for the sitting surgeon
- Ideal ergonomic platform for laparoscopic procedures
- Safest transfer height for the ambulatory patient
- Low and stable platform for microsurgery

52-100 cm
(20-39 in.)



Reliable & Efficient

The best-in-class MOT-5602BW allows for versatile use by many surgical disciplines. This equates to increased utilization and efficiency in the operating room.



Easy Full Body Imaging

MOT-5602BW is built for optimal C-arm use. Best-in-class 53 cm (21 in.) of top slide easily moves the patient into the desired imaging window, while the low profile base and narrow column maximize room under the table.

Designed For Specialized Accessories

MOT-5602BW provides a greater amount of side rail allowing for more specialized accessories to be attached precisely where needed.

Features

- Mizuho original pads alleviate shearing forces while substantially reducing pressures on the anesthetized patient
- Slim base and column design offer imaging efficiency
- Secondary switch compartment on the base will ensure continuous operation if the remote control should fail
- Fully mechanical brake release
- Swivel casters provide ease of movement and cleaning
- Self compensating brake system and power floor locks provide optimum stability
- Removable split leg section
- Large perineal cut out for better access
- Power indicator and battery level control panel with integration for optional foot switch (not visible)
- Quick access emergency stop button



Simple Controls For Patient Safety

With MOT-5602BW, patient safety is assured. An Energize button is pressed sequentially with the intended function button to eliminate the possibility of accidental patient movement.



Table Positions



52-100 cm
Table Height



53 cm
Top Slide



90° Reflex



40° Flex



90° Down
90° Opening



90° Back Up



40° Back Down



25°
Trendelenburg



25° Reverse
Trendelenburg



20° Lateral Tilt



Neurosurgery Lateral



Neurosurgery Supine



Neurosurgery Prone



Urology / Gynecology



Kidney / Thoracic



Laparoscopic



Shoulder / Beach Chair



Otolaryngology (ENT)



Anterior Hip Replacement



MOT-5602BW

Technical Specifications

Elevation Range	100 cm-52 cm (39-20 in.)
Trendelenburg	25° (Head Up/Head Down)
Lateral Tilt	20° (Left/Right)
Back Section	90° Up, 40° Down
Table top sliding range	53 cm (21 in.)
Sliding range to head	22 cm (8.5 in.)
Sliding range to leg	31 cm (12 in.)
Flex/Reflex	40°/90°
Return to Level	Trendelenburg, Lateral, Back section, Flex
Head Section (Manual)	60° Up, 90° Down
Leg Section	90° Opening, 90° Down

Table Specifications

Table Top Dimensions	195 cm x 50 cm (77 x 19.5 in.)
Base Dimensions	97 cm x 48 cm (38 x 19 in.)
Size of Side Rail	10 mm x 25 mm (.39 x .98 in.)
Weight	323 kg (712 lbs.)
Supply Voltage	100 - 240 V (50/60 Hz)
Power Input	400 VA
Battery Power	DC 24 V
Operating Voltage	DC 24 V
Patient Weight Capacity	250 kg (550 lbs.)

Table Materials

Table Plate	Phenolic
Side Rail	SUS304F Stainless Bar
Side Frame	AC7A Aluminum Alloy Casting
Elevation Column (Inside)	FCD450 Spheroidal Graphite Iron Casting
Elevation Column (Cover)	SUS304CP Stainless
Base	FC250 Gray Iron Casting

Operating Environment

Ambient Temperature	10-40° C
Relative Humidity	30-75%
Atmospheric Pressure	700-1060 hPa

Optional Accessories

Mizuho OSI offers a complete line of high quality specialized accessories to facilitate optimal surgical position. For a complete list of Mizuho OSI accessories please visit mizuhoosi.com.

Ordering Information

REF MOT-5602BW Electro-Hydraulic Operating Table

Medical Device Notification Number of PAL
13B1X00306N10145

Warranty
Parts and labor for one year. See warranty for complete details.

Surgical Disciplines

- Urology
- Otolaryngology (ENT)
- Obstetrics / Gynecology
- Eye
- General
- Digestive

- Cardiovascular
- Respiratory
- Orthopedic
- Dermatology
- Plastic
- Neurosurgery

- Kidney / Thoracic
- Direct Anterior Total Hip Arthroplasty
- Laparoscopic
- Bariatric