



Trios[®]

Simplified adjustability and positioning





Simplicity Redefined

The **Trios® Surgical Table System** brings enhanced functionality to the original spinal platform used worldwide. Designed to meet the demands of today's surgical needs, the Trios Spine and Imaging Tops are equipped to support patient weight up to 650 pounds (295 kg) while remaining fully radiolucent. Featuring powered floor locks, a unique table top mounting interface, and a streamlined 180° rotation mechanism, Trios brings efficiency and ease of use to the operating room.

In addition to its Spine and Imaging Tops, Trios is equipped with the option of an Orthopedic Trauma Top designed to hold and position patients undergoing orthopedic

surgical procedures. Featuring a wide variety of components, the Trios Orthopedic Trauma Top offers both skin and skeletal traction, a moveable traction arc, multiple leg support options, and pelvic support options for both supine and lateral decubitus positions.

With a focus on enhanced safety and precision, Trios offers a distinct user interface designed to complement the operating room workflow. This modern system features a table platform known for its customizable patient positioning for spine, imaging, and orthopedic trauma procedures. Trios brings a new confidence and control to a system created with the needs of both the user and patient in mind.

3

Surgical Table Tops

Spine



Imaging



Orthopedic Trauma



An Innovative **Surgical Table System** Designed For The Demands Of Any Operating Room





Advanced
Simplicity and
Positioning

Spine & Imaging Table Tops



650 lbs.
weight capacity (295 kg)



Procedures Supported

- Laminectomies
- Decompressions
- Osteotomies
- Anterior / Posterior Fusions
- Surgical Correction of Deformities
- Anterior / Posterior Cervical
- Kyphoplasties
- Vertebroplasties
- IDET Surgeries
- Vascular Surgery
- Joint Imaging
- Pain Management



The Trios two-column table base with interchangeable table tops creates the flexibility needed to support a variety of spine and imaging procedures. The open frame design of the spinal top provides the foundation for optimal prone positioning, while the versatility of the radiolucent imaging top allows for the desired supine or lateral set-up. Trios provides a sophisticated platform based on 25 years of industry leading performance.

Prone Positioning Benefits

- Improves surgical access and visualization at surgical site
- Reduces vena caval compression
- Minimizes epidural venous bleeding
- Provides customizable pad and component placement to meet individual patient needs



Adaptable
Positioning
and Traction

Orthopedic Trauma Table Top & Traction Arc



500 lbs.
weight capacity (227 kg)



Procedures Supported

- Hip Pinning
- Supine IM Femoral Nailing
- Lateral IM Femoral Nailing
- IM Tibial Nailing
- Ender Pinning



Modernized Table Top and Traction Arc Attachment

- New Table Top mounting assembly connection ensures secure attachment to the Base's crossbar
- Simplified lower-and-lock Table Top mounting assembly decreases installation steps
- Integrated Traction Arc installation/removal guide on the IntelliPendant assists with setup

The Trios Orthopedic Trauma Top provides a comprehensive, orthopedic table system for adaptable patient positioning while providing skin or skeletal traction during key trauma procedures. The table's versatility and unique composite top enhance radiography for extremity imaging by providing maximized radiolucency at any angle. The Traction Arc's design allows for anatomically correct traction for the various procedures supported.

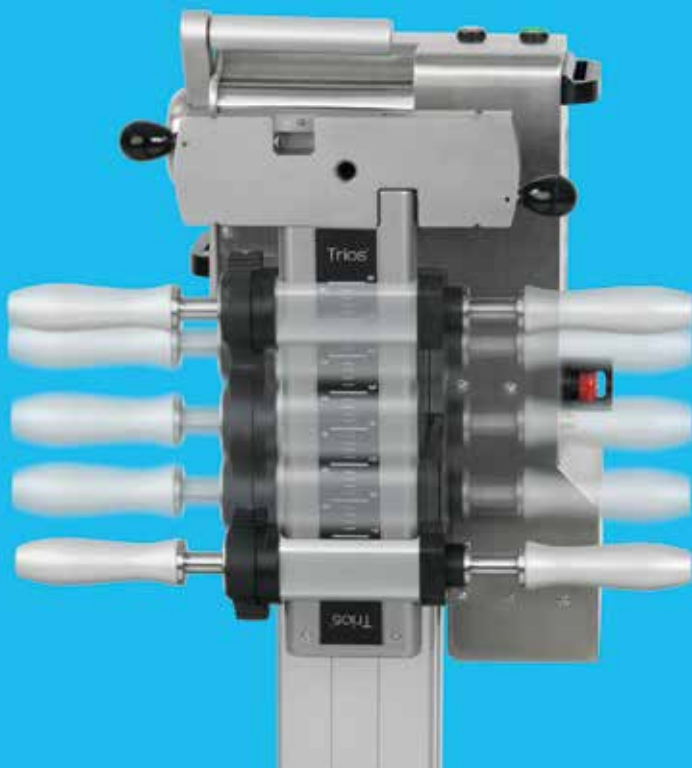
Secure and Flexible

- Traction Arc provides constant traction on patient's leg for adduction/abduction
- Arc attachment supports multiple components for either skin or skeletal traction
- Multiple options to leg spar on operative side accommodate various setups

Enhanced Control and Adjustment

Tower and Ratchet System

The Tower and Ratchet system is a unique component that provides the adjustment and customization desired to properly position the table top. This simple and secure design offers users an easy-to-use setup process designed to improve the operating room workflow.



Secure Table Top Attachment

- New connection interface eliminates risk of misuse that could result in table top dropping
- Each tower easily fastens to the Base's crossbar to allow the table top to be attached
- Simple table top hook connection ensures secure attachment to the towers
- Adjustment of table top's position relative to the cross bar is readily achieved using tower's unique ratchet mechanism
- Table top position can be adjusted before and after patient transfer



180°

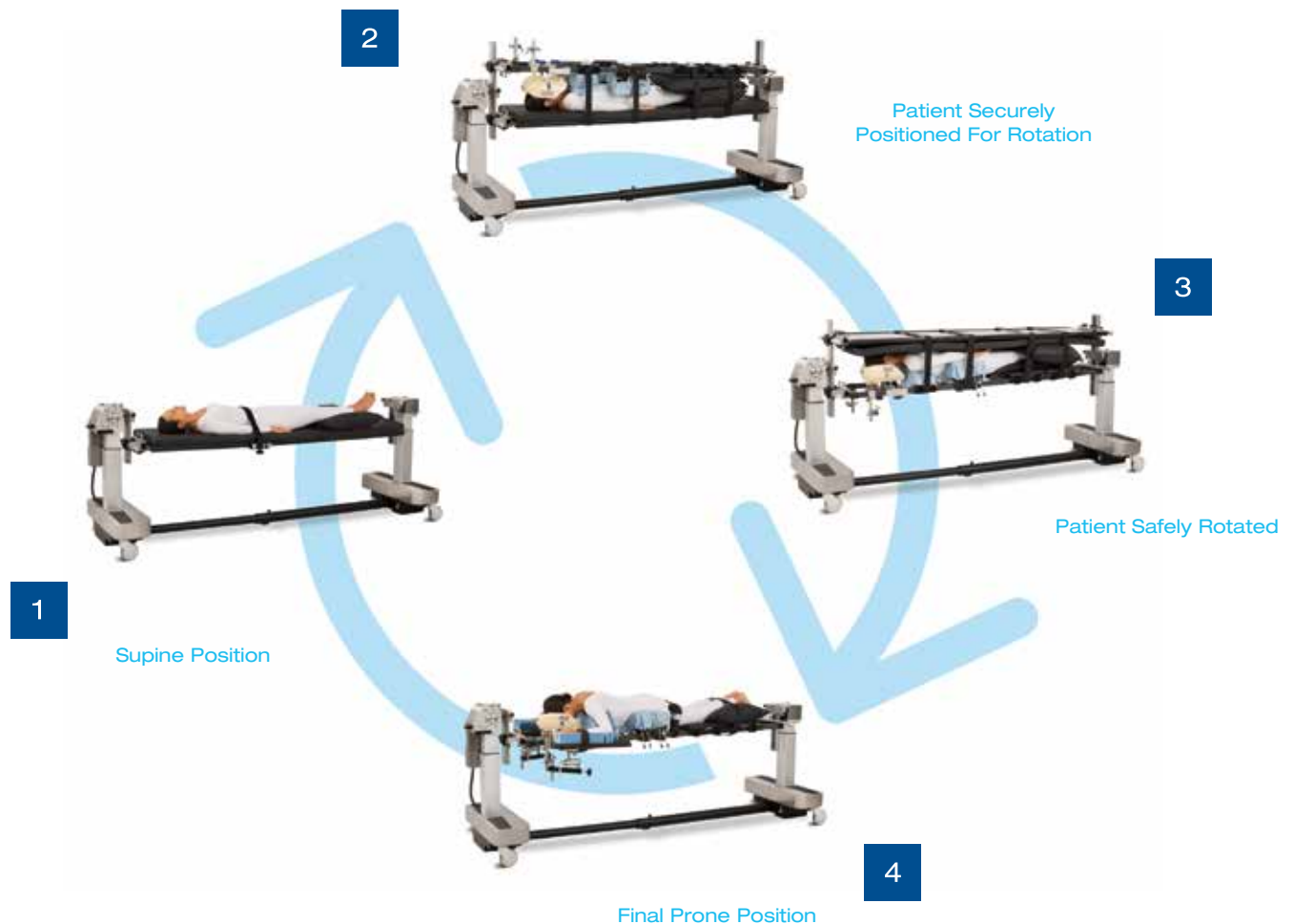
Simple and Safe

180° Patient Rotation

Simplified execution for 180° rotation controlled by a one handle unlocking system with a built-in safety mechanism that requires two-staged action to release the lock. Trios also features indicator lights at the head-end and foot-end of the table alerting the user of table's unlocked state.

Procedure Benefits

- Facilitates safe and efficient rotations from supine to prone
- Enables completion of anterior/posterior procedures without use of additional tables



Features

A. IntelliPendant® and Auxiliary Panel

- Display provides real-time information on table's height, lateral tilt and Trendelenburg position
- Pendant is equipped with two programmable memory positions
- Auxiliary Panel provides secondary source for controlling table motion

C. Carbon Fiber Construction

- Provides complete radiolucency
- Supports unrestricted C-arm and O-arm® integration
- Allows anterior/posterior, lateral and oblique views intraoperatively

B. Powered Floor Locks

- One-touch engagement of floor locks using either the Hand Pendant or Auxiliary Panel
- Built-in safety mechanism prevents table from operating without floor locks engaged

D. Tempur-Pedic® Medical Pad Technology

- Tempur-Pedic Medical technology for all patient surfaces for supine and prone positioning
- Evenly distributes pressure load on patient during surgery
- Contours to patient anatomy, providing improved support
- Enhances patient comfort



Specifications & Components



Specifications

Trios Base

Crossbar to Floor Height	33 in. – 51 in. (84-129 cm)
Table Top to Floor Height	22 in. – 46 in. (56-117 cm)
Trendelenburg / Reverse Trendelenburg	10°
Lateral Tilt	25°
Base Width	32 in. (81 cm)
Base Length	110 in. (279 cm)
Retracted Base Length	68 in. (173 cm)

Trios Spinal Surgery Top

Table Top Length	84 in. (213 cm)
Table Top Width	17 in. (43 cm)
Patient Weight Capacity	650 lbs. (295 kg)

Trios Radiolucent Imaging Top

Table Top Length	84 in. (213 cm)
Table Top Width	21.5 in. (55 cm)
Patient Weight Capacity	650 lbs. (295 kg)

Trios Orthopedic Trauma Top

Table Top Length	84 in. (213 cm)
Table Top Width	21.5 in. (55 cm)
Patient Weight Capacity	500 lbs. (227 kg)

Ordering Information

REF Trios® Base

7803
100-240 VAC, 50/60 Hz

REF Trios® Spinal Surgery Top

(Hip/Thigh Pad Sets and Arm Boards Sold Separately)
7943

REF Hip/Thigh Pad Set Options:

6956 Tempur-Pedic Comfort 8-Piece Hip/Thigh Pad Set
5939 Tempur-Pedic Combination Hip/Thigh Pad Set

REF Arm Board Options:

5579 Articulating Arm Board (each)
5376 Translating Arm Board (each)

REF Trios® Radiolucent Imaging Top

7927

REF Trios® Orthopedic Trauma Top

7855

Standard Components

Trios Spinal Surgery Top

- Towers (2)
- Spine Frame
- ProneView® Helmet and Mirror Platform
- Face Plate
- Tempur-Pedic Medical Chest Pad
- Leg Board with 1 in. (2.5 cm) Tempur-Pedic Medical Pad (2)
- Adjustable Leg Sling
- Buttocks Strap
- 60 in. (152 cm) Safety Strap
- 90 in. (229 cm) Safety Strap (4)
- Cervical Traction Vector
- Table Top Cover

Trios Radiolucent Imaging Top

- Towers (2)
- Radiolucent Imaging Platform
- 2 in. (5 cm) Tempur-Pedic Medical Pad
- Supine Top Safety Strap
- 60 in. (152 cm) Safety Strap
- 6 in. (15 cm) Side Rail Adapter (2)
- Table Top Cover

Trios Orthopedic Trauma Top

- Orthopedic Table Top
- Traction Arc with Cart
- Patient Transfer Board
- Traction Unit Upright (2)
- Traction Extension (3)
- Traction Unit (2)
- Traction Boot (pairs), Small and Large
- Traction Foot Plate (2)
- Soft Traction Boot (pairs), Small and Large
- 90° Pin & Wire Holder
- Kirschner Bow Holder
- G.M. Board, Right and Left
- Center Support Board
- Perineal Post, Child and Adult
- Lateral Ilium and Perineal Post
- Tibia Counter-Traction Post and Support Upright
- Well Leg Support and Swing Arm
- Tibia Well Leg Support
- Radiolucent Auxiliary Leg Spar
- Leg Spar Upright
- Leg Board
- Lower Leg Support
- Tibia Traction Upright
- Accessory Clamp (2)
- Safety Strap (2)
- Patient Isolation Drape Hanger Posts and Rods
- Universal Side Rail Adapter (2)
- Table Top Cover

mizuhosi.com/trios



30031 Ahern Avenue
Union City, CA 94587-1234 USA
Telephone: 510-429-1500
Toll Free: 800-777-4674
Fax: 510-429-8500
Outside USA: +1-510-429-1500
mizuhosi.com
newhipnews.com



Emergo Europe
Prinsessegracht 20
2514 AP The Hague
The Netherlands



Mizuho OSI



Patents Pending

Note: Mizuho OSI is constantly improving its products. All specifications are subject to change without notice. O-arm® is a registered trademark of Medtronic, Inc. • Tempur-Pedic® is a registered trademark of Tempur-Pedic North America, LLC • ProneView® is a registered trademark of Dupaco Inc. • Mizuho OSI is a Delaware Corporation. Manufactured in the USA.

2017 ©Mizuho OSI

REF NW0802 REV D